

# SEAFLO<sup>®</sup>

## ATV Sprayer Manual

# SEAFLO<sup>®</sup>

XIAMEN HUILIYUAN IMP. & EXP. CO.,LTD  
 Add: Room 204,2/F,No.2 Buiding,No.23 Wanghai Road,  
 Siming District,Xiamen,Fujian,China  
 TEL: 0086-592-5930656      FAX: 0086-592-5996177  
 WEB: www.seaflo.com      E-MAIL: sale@seaflo.com



SFSP-01 SERIES

## Introduction

SEAFLO is a professional manufacturer concentrates on researching, producing and selling agricultural battery sprayer. SEAFLO sprayer tank has some advantages such as: special new design, easy-to-use, high pressure resistance, lowest aging and so on. SEAFLO pump advantages are low current, stable flow rate and steady operation.

SFSP-01 Series products has longer life time as we use HDPE + UV material, high pressure water pipe, spray gun and SEAFLO pump to construct them. Products with the installation of water pipes and spray gun fixed clasp, large water cover and fast drain, etc. The use of humanized design increases the users' experience. SEAFLO sprayer must pass the strict quality inspection and with the guarantee of working 100% normally before delivery. If you install and use the sprayer correctly according to below details, it will work normally without any problem. The sprayer works more efficiently with the use of different kinds of ATV trucks and pickup trucks.

## Summary

SFSP-01 Series products support the installation to ATV or a pickup truck, please refer to the following requirements when use the products, which will be able to achieve the best working condition. The installation of the sprayer must meet local or international norms and standards.

## sketch map



## Installation

Sprayer must be installed at the levels of ATV car rack. The installation must use the special water tank fixed machine. SEAFLO sprayer tank has the special fixed groove design for the ties, it is convenient for users to use different kinds of tank fixed machine to install the sprayer.

We design two fixed positions for nozzle stents at the bottom of the sprayer in order to make it easy for setting up different nozzle stents. If your nozzle stents is over 5 KGS, you have to fix it on the truck or other place in case of breaking down the place on the sprayer.

## Electric circuit

SEAFLO Sprayer is installed with ATV car battery. Please make sure the pressure and capacitance consistent to the pump pressure and capacitance before you use it.

And the anode circuit of the pump should be equipped with the fuse. Each type of sprayer should connect to each type of fuse with different specifications, please refer to the table below:

Number	Sprayer Model	Fuse Specifications
1	SFSP-050-010-01A/B	6A
2	SFSP-050-013-01A/B	7.5A
3	SFSP-050-020-01A/B	12A
4	SFSP-050-030-01A/B	16.5A
5	SFSP-100-010-01A/B	6A
6	SFSP-100-013-01A/B	7.5A
7	SFSP-100-020-01A/B	12A
8	SFSP-100-030-01A/B	16.5A
9	SFSP-100-040-01A/B	21A
10	SFSP-100-050-01A/B	25.5A
11	SFSP-100-070-01A/B	36.8A

SFSP-01 Series sprayer standard fitting: one 20 A electric line with control switch, AWG 16# 1.5 M, two battery clips and one plug that connects to pump.

## Electric circuit

The inlet and outlet pipe of SEAFLO pump is recommended to use 3/8" diameter high pressure water pipe. SFSP-01 Serie sprayer has standard fitting: one high pressure PVC pipe with 3/8" diameter and 6 meters long. The regular working pressure is 20 bar.

SFSP-01 Serie sprayer come with 50 meshes grid filter for preventing debris come into pump and cause trouble. In case of leakage, we use the right type of stainless steel pipe buckle to clamp the pipe. We cannot use

glue on the thread tube or sealant, the glue will be sucked into the pump that will cause damage. Because of improper filtering guide to the water pump can't work normally, is beyond the warranty range. If the pump cannot work normally due to improper filtering, it will not be in the range of warranty.

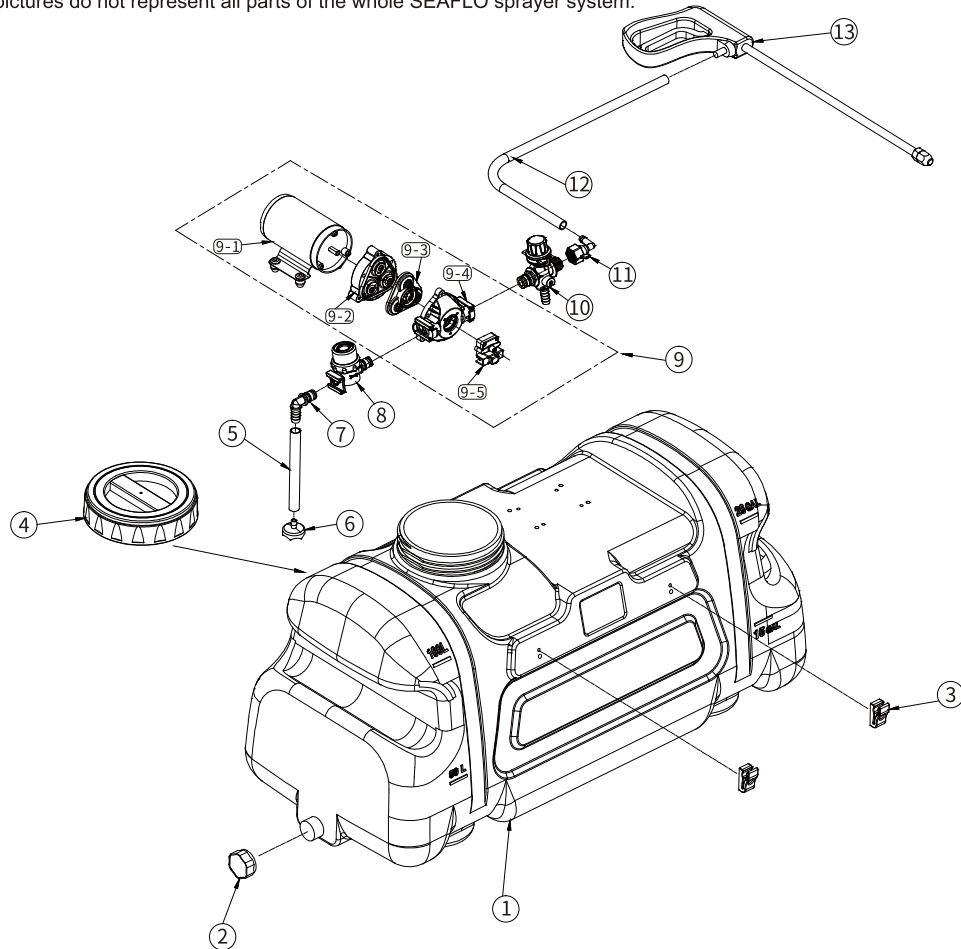
SFSP - 01 Series standard equipped with multi-function spray gun. Rotating nozzle can change shape of the nozzle jet. In the condition of using single spray superfine atomizing nozzle will cause the pressure exceeds the water pump setting pressure, as a result, the water pump pressure switch continuous beating. So if the user has requirements of using the superfine spray with single nozzle must install a SEAFLO pressure regulating valve to solve the problem.

## Protection

If the water in spray pipeline system is frozen, the pipe and the water pump will be severely damaged, but this damage is beyond the scope of warranty. So please make it dry when you stop using the system.

## Accessories service

In order to ensure correct maintenance, the following chart is the sprayer part numbers. Sprayer installation pictures do not represent all parts of the whole SEAFLO sprayer system.



NO.	Item No.	Name	Description
1	001-50-01	50L tank	material: HDPE+UV translucence
	001-100-01	100L tank	material: HDPE+UV translucence
2	002-50-01	port lid	material: PP red
3	003-50-01	sprayer gun buckle	material: PP black
4	004-50-01	barrel cover	material: PP red
5	005-50-01	inlet pipe	material: PP white
6	006-50-01	sucker	material: PP red
7	007-50-01	inlet elbow fitting	material: black nylon
8	008-50-01	filter	material: PA+30% glass fiber
9	009-50-01	pump	SFDP1-020-060-35 2.0 GPM 60 PSI
10	010-50-01	pressure regulating valve	material: PA & POM
11	011-50-01	outlet elbow fitting	material: POM & PP
12	012-50-01	outlet pipe	material: PVC high pressure pipe black
13	013-50-01	sprayer gun	18" length stainless steel gun high pressure sprayer gun

Pressure regulating valve: SFSP-01A Optional accessories, SFSP-01B Standard accessories.

## Limited warranty

SEAFLO sprayer warranty period: From the acquisition date to 1 year, with normal use, we offer free damaged parts change and repair maintenance. Warranty works from the date of purchase to 1 year, the purchase date will be marked on motor. The warranty will become invalid after one year. Situations such as improper installation, abuse, or not installed with the SEAFLO recommended accessories, or equipment damage due to outside debris are beyond the scope of the warranty. SEAFLO company do not provide warranty for physical damage and pumps assembled outside the SEAFLO factory. Warranty terms may be revised again by authorized retailer service center or SEAFLO service center. Users should arrange the freight for the repaired

products and take care of the package. SEAFLO will not be responsible for the freight cost for transporting the repaired products to the service center. SEAFLO's obligation under this warranty policy is to restrict repair and replacement of the pump. Within the scope of the warranty, if there is not defects of the water pump, people will pay for testing and repackaging. We will choose the lowest cost of transportation after repairing it and return it back. SEAFLO reserves the right to choose any ways of transportation.

## Malfunction elimination

The vibration exists when use and transport the sprayer, this can cause the hardware fittings with the water pipes and pumps become loose. Users have to do the regular inspection to see if the system parts are loose or not. Most of the loose problem can be solved by tightening the hardware fittings. See the following points about the common faults.

### ● The pump can't start/short circuit

Whether motor is overheating or not? Thermal protector may start, motor will restart after cooling.  
Whether the circuit fuses or circuit breaker, main breaker, and earth switch conduct properly?  
Whether the voltage is stable enough around  $\pm 10\%$  and the ground lead connect properly?  
Whether the ground of the circuit or motor wire specification is right or not?  
Whether the diaphragm is stuck or not (for example if the water is frozen)?

### ● Not pumping/special noise

Whether the filter is blocked by debris?  
Whether inlet pipe or conduit joint has air in it (not vacuum)?  
Whether the inlet and outlet of the water pipe were broken or be blocked by debris?  
Whether the voltage is controlled between -10% and +10%?  
Whether there are sundries in inlet and outlet gate valve, if the valve is too dry or distortion.  
Whether the pump body fractures or the screw becomes loose?

### ● Pump can not stop (even turned off the spray gun and pressure regulating valve)

Whether the output pipe leaks or not (check the valve or the nozzle)?  
Whether the pump body has leakage?  
Whether the pump voltage meets the requirements?  
Whether rotating parts or screws on the pump head is loose?  
Whether the valves and internal fragments of the valve plates are stuck or rubber expands?  
Whether the pressure switch controls properly or not? Please see the details of switch adjustment.

### ● Noise or dysfunction

Whether the pipe is loose or not?  
Whether the pipe is bending that cause's transmission noise?  
Whether the pump feet are installed too loose or too tight?  
Whether three long screws on the pump head become loose or not?  
If the motor and pump head had been disassembled, do you know where the noise come from, the motor or pump head?

### ● Pressure switch starts frequently reasons

Pressure switch controls through pressure adjustment.  
The single nozzle works under the situation of the largest atomization.